

Ex de, Weatherproof



Introduction

This range of beacon/sounder units, intended for use in potentially explosive gas atmospheres, has a sound output of up to 116dB(A) and tube energy of up to 10 joules (beacon). It is suitable for use in the harsh environmental conditions found offshore and onshore in the oil, gas and petrochemical industries.

The flamepaths, flare and body are manufactured from a UV stable glass reinforced polyester. Stainless steel screws and mounting stirrup are incorporated to ensure a corrosion-free product. A tapered flamepath is used to overcome the problems of assembly of parallel spigot flamepaths.

Features

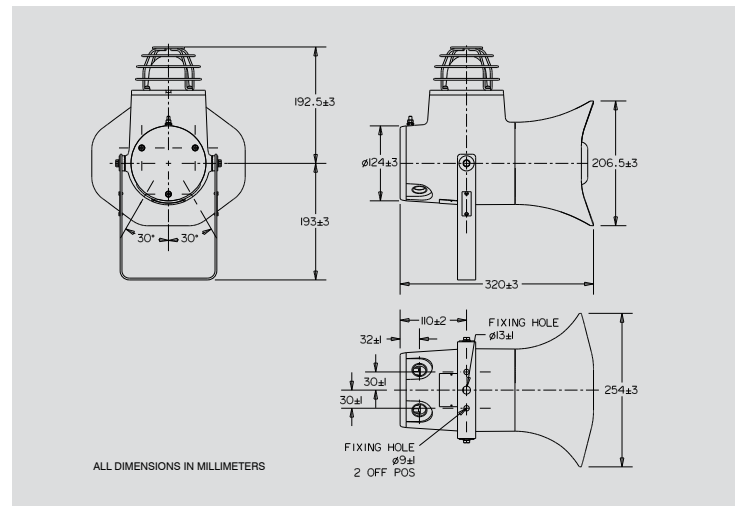
- Zone 1, Zone 2 & non-Ex use.
- Ex de IIB T3 (T4 Pending).
- ATEX approved, Ex II 2 G.
- IECEx approved, Gb.
- CUTR certified.
- BASEEFA certified.
- Brazilian (Inmetro) certified.
- IP66 and 67.
- Certified temperature: -50°C to $+70^{\circ}\text{C}^*$.
- Up to 116 dB(A)*.
- Version with independent beacon/sounder operation now available.
- 27 Tones, user selectable (dual tone option - d.c. voltage).
- Tones comply with UKOOA/PFEER guidelines.
- Integral volume control.
- GRP corrosion-free flamepath.
- Ratcheted swivel mounting stirrup.
- Stainless steel fixtures.
- Tapered flamepath.

**Model dependent.*



Certification and Specification

ATEX Ex de:	Cert. no. Baseefa04ATEX0273X. Certified to: EN60079-0, EN60079-1, EN60079-7. Ex II 2G, Ex de IIB T3 Gb. (T4 Pending).
IECEX Ex de:	Cert. no. IECEX BAS 11.0149X. Certified to: IEC60079-0, IEC60079-1, IEC60079-7. Ex de IIB T3 Gb. (T4 Pending).
CUTR Ex de:	1Ex de IIB T3 Gb. Russian Fire Approved.
Inmetro Ex d e:	Ex d e IIB T3 Gb. (T4 Pending).
ABS:	American Bureau of Shipping Type Approval for CU1S, CU1SW, CU1H & CU1HW only.
Material:	Body, flares & covers: Glass Reinforced Polyester (GRP). Lens: Glass. Guard fitted as standard. Cover screws & mounting strap: Stainless steel.
Finish:	Natural black or painted to customer specification.
Certified Temp:	Standard unit: -50°C to +50°C (CU1-S & CU1-SP). High temperature unit: -50°C to +70°C (CU1-H & CU1-HP).
Weight:	6.5kg approx.
Ingress Protection:	IP66 & IP67.
Entries:	Up to 2 x M25, 2 x M25 ISO, 2 x M20 with 1/2" NPT adaptor or 2 x M25 with 3/4" NPT adaptors into termination (Exe) chamber.
Terminals:	8 x 4.0mm ² .
Relay Initiate:	Available on all versions – operates with 24V d.c. initiate supplies only.
Mounting:	Stainless steel bracket with ratchet facility.
Earth Continuity:	Available as an option.
Labels:	Duty and tag label option to customer's requirements.
Tube Energy:	5 or 10 Joules
Sound Output:	Sound Standard unit: 116dB(A) ± 3 dB(A) (tone dependent). High temp. unit: 110 dB(A) ± 3 dB(A) (tone dependent).
Tone Selection:	27 user selectable tones.
Two Stage Unit: (d.c. only)	Switchable between any two tones by either: (i) Reversing the polarity* of the supply, or (ii) By a 3 wire common +ve system, switching between the two -ve lines. If a two stage unit is ordered with either Independent Sounder/Beacon operation or Telephone or Relay Initiate, it will be wired for reverse polarity tone switching only, to allow loop in, loop out installation.. *Will not affect beacon operation.



Independent Beacon DC: 3 wire common-ve as standard (4 wire available on request).
/Sounder Operation: AC: 4 wire.

Reverse Line Available on request. Please contact MEDC Technical Sales for more

Monitoring: details.

Current Consumption at full power (60fpm):

Input Voltage	CU1S 10J	CU1H 10J	CU1S 5J	CU1H 5J
24Vd.c.	1680mA	960mA	1390mA	750mA
48Vd.c.	864mA	-	-	-
110Va.c.	365mA	360mA	-	-
120Va.c.	417mA	370mA	-	-
230Va.c.	172mA	165mA	-	-
240Va.c.	182mA	165mA	-	-
254Va.c.	241mA	220mA	-	-

Integral volume control (beacon set to 60fpm) (Not applicable to CU1H)

* Nominal Output (dB(A))	CU1S 10J	CU1S 5J
105dB(A)	850mA	650mA
108dB(A)	1000mA	780mA
111dB(A)	1150mA	940mA
114dB(A)	1400mA	1190mA
116dB(A)	1680mA	1390mA

* Output measure with 24V input voltage. Tone set to 970Hz continuous.

High temperature CU1H is set to 107dB(A). For the 24Vd.c. version 960mA @ 10J & 750mA @ 5J.

Ordering Requirements

The following code is designed to help in selection of the correct unit. Build up the reference number by inserting the code for each component into the appropriate box.

Unit Type	Certification	Voltage	Power	Flashrate	Lens	Labels	Options	Entries	Finish																																																																																																																						
<table border="1"> <thead> <tr> <th>Type</th> <th>Code</th> </tr> </thead> <tbody> <tr> <td>Standard unit</td> <td>CU1S</td> </tr> <tr> <td>Two stage</td> <td>CU1SP*</td> </tr> <tr> <td>High temp.</td> <td>CU1H</td> </tr> <tr> <td>Standard unit</td> <td>CU1HP*</td> </tr> <tr> <td>Two stage</td> <td>CU1HP*</td> </tr> </tbody> </table> <p>*DC versions only.</p>	Type	Code	Standard unit	CU1S	Two stage	CU1SP*	High temp.	CU1H	Standard unit	CU1HP*	Two stage	CU1HP*	<table border="1"> <thead> <tr> <th>Certification</th> <th>Code</th> </tr> </thead> <tbody> <tr> <td>ATEX</td> <td>B</td> </tr> <tr> <td>IECEX</td> <td>J</td> </tr> <tr> <td>CUTR</td> <td>G*</td> </tr> <tr> <td>Inmetro</td> <td>EM</td> </tr> <tr> <td>Weatherproof</td> <td>W</td> </tr> </tbody> </table> <p>* Russian Fire Approval as standard.</p>	Certification	Code	ATEX	B	IECEX	J	CUTR	G*	Inmetro	EM	Weatherproof	W	<table border="1"> <thead> <tr> <th>Voltage</th> <th>Code</th> </tr> </thead> <tbody> <tr> <td>24Vd.c.</td> <td>024</td> </tr> <tr> <td>48Vd.c.</td> <td>048</td> </tr> <tr> <td>110V a.c.</td> <td>110</td> </tr> <tr> <td>120V a.c.</td> <td>120</td> </tr> <tr> <td>230V a.c.</td> <td>230</td> </tr> <tr> <td>240V a.c.</td> <td>240</td> </tr> <tr> <td>254V a.c.</td> <td>254</td> </tr> </tbody> </table>	Voltage	Code	24Vd.c.	024	48Vd.c.	048	110V a.c.	110	120V a.c.	120	230V a.c.	230	240V a.c.	240	254V a.c.	254	<table border="1"> <thead> <tr> <th>Power</th> <th>Code</th> </tr> </thead> <tbody> <tr> <td>5 Joule</td> <td>F*</td> </tr> <tr> <td>10 Joule</td> <td>T</td> </tr> </tbody> </table> <p>* Available 24Vd.c. only.</p>	Power	Code	5 Joule	F*	10 Joule	T	<table border="1"> <thead> <tr> <th>Flashrate</th> <th>Code</th> </tr> </thead> <tbody> <tr> <td>60 / min</td> <td>06</td> </tr> <tr> <td>80 / min</td> <td>08</td> </tr> <tr> <td>120 / min</td> <td>12</td> </tr> </tbody> </table> <p>* Current consumption available for 80/min and 120/min on request.</p>	Flashrate	Code	60 / min	06	80 / min	08	120 / min	12	<table border="1"> <thead> <tr> <th>Colour</th> <th>Code</th> </tr> </thead> <tbody> <tr> <td>Red</td> <td>R</td> </tr> <tr> <td>Blue</td> <td>B</td> </tr> <tr> <td>Green</td> <td>G</td> </tr> <tr> <td>Amber</td> <td>A</td> </tr> <tr> <td>Yellow</td> <td>Y</td> </tr> <tr> <td>Clear</td> <td>C</td> </tr> </tbody> </table>	Colour	Code	Red	R	Blue	B	Green	G	Amber	A	Yellow	Y	Clear	C	<table border="1"> <thead> <tr> <th>Label</th> <th>Code</th> </tr> </thead> <tbody> <tr> <td>None</td> <td>N</td> </tr> <tr> <td>Duty Label</td> <td>D*</td> </tr> <tr> <td>Tag label</td> <td>T*</td> </tr> </tbody> </table> <p>* Please specify.</p>	Label	Code	None	N	Duty Label	D*	Tag label	T*	<table border="1"> <thead> <tr> <th>Options</th> <th>Code</th> </tr> </thead> <tbody> <tr> <td>Tel. Initiate</td> <td>T†</td> </tr> <tr> <td>Relay Initiate</td> <td>R†</td> </tr> <tr> <td>Independent Operation</td> <td>I†</td> </tr> <tr> <td>Earth cont.</td> <td>C</td> </tr> <tr> <td>Special Tone</td> <td>S*</td> </tr> <tr> <td>EOL Res.</td> <td>E*</td> </tr> <tr> <td>None</td> <td>N</td> </tr> </tbody> </table> <p>* Please specify. † T, R or I not available on same unit.</p>	Options	Code	Tel. Initiate	T†	Relay Initiate	R†	Independent Operation	I†	Earth cont.	C	Special Tone	S*	EOL Res.	E*	None	N	<table border="1"> <thead> <tr> <th>Entries</th> <th>Code</th> </tr> </thead> <tbody> <tr> <td>1 x M20</td> <td>1B</td> </tr> <tr> <td>2 x M20</td> <td>2B</td> </tr> <tr> <td>1 x M25</td> <td>1C</td> </tr> <tr> <td>2 x M25</td> <td>2C</td> </tr> <tr> <td>1 x 1/2" NPT</td> <td>1M</td> </tr> <tr> <td>2 x 1/2" NPT</td> <td>2M</td> </tr> <tr> <td>1 x 3/4" NPT</td> <td>1N</td> </tr> <tr> <td>2 x 3/4" NPT</td> <td>2N</td> </tr> </tbody> </table> <p>To specify certified plug, suffix appropriate code with 'P', e.g. 2BP is 2 x M20 entries with one certified plug.</p>	Entries	Code	1 x M20	1B	2 x M20	2B	1 x M25	1C	2 x M25	2C	1 x 1/2" NPT	1M	2 x 1/2" NPT	2M	1 x 3/4" NPT	1N	2 x 3/4" NPT	2N	<table border="1"> <thead> <tr> <th>Finish</th> <th>Code</th> </tr> </thead> <tbody> <tr> <td>Natural Black</td> <td>N</td> </tr> <tr> <td>Red</td> <td>R</td> </tr> <tr> <td>Special</td> <td>S*</td> </tr> </tbody> </table> <p>* Please specify.</p>	Finish	Code	Natural Black	N	Red	R	Special	S*
Type	Code																																																																																																																														
Standard unit	CU1S																																																																																																																														
Two stage	CU1SP*																																																																																																																														
High temp.	CU1H																																																																																																																														
Standard unit	CU1HP*																																																																																																																														
Two stage	CU1HP*																																																																																																																														
Certification	Code																																																																																																																														
ATEX	B																																																																																																																														
IECEX	J																																																																																																																														
CUTR	G*																																																																																																																														
Inmetro	EM																																																																																																																														
Weatherproof	W																																																																																																																														
Voltage	Code																																																																																																																														
24Vd.c.	024																																																																																																																														
48Vd.c.	048																																																																																																																														
110V a.c.	110																																																																																																																														
120V a.c.	120																																																																																																																														
230V a.c.	230																																																																																																																														
240V a.c.	240																																																																																																																														
254V a.c.	254																																																																																																																														
Power	Code																																																																																																																														
5 Joule	F*																																																																																																																														
10 Joule	T																																																																																																																														
Flashrate	Code																																																																																																																														
60 / min	06																																																																																																																														
80 / min	08																																																																																																																														
120 / min	12																																																																																																																														
Colour	Code																																																																																																																														
Red	R																																																																																																																														
Blue	B																																																																																																																														
Green	G																																																																																																																														
Amber	A																																																																																																																														
Yellow	Y																																																																																																																														
Clear	C																																																																																																																														
Label	Code																																																																																																																														
None	N																																																																																																																														
Duty Label	D*																																																																																																																														
Tag label	T*																																																																																																																														
Options	Code																																																																																																																														
Tel. Initiate	T†																																																																																																																														
Relay Initiate	R†																																																																																																																														
Independent Operation	I†																																																																																																																														
Earth cont.	C																																																																																																																														
Special Tone	S*																																																																																																																														
EOL Res.	E*																																																																																																																														
None	N																																																																																																																														
Entries	Code																																																																																																																														
1 x M20	1B																																																																																																																														
2 x M20	2B																																																																																																																														
1 x M25	1C																																																																																																																														
2 x M25	2C																																																																																																																														
1 x 1/2" NPT	1M																																																																																																																														
2 x 1/2" NPT	2M																																																																																																																														
1 x 3/4" NPT	1N																																																																																																																														
2 x 3/4" NPT	2N																																																																																																																														
Finish	Code																																																																																																																														
Natural Black	N																																																																																																																														
Red	R																																																																																																																														
Special	S*																																																																																																																														

All specifications, dimensions, weights and tolerances are nominal (typical) and MEDC reserve the right to vary all data without prior notice. No liability is accepted for any consequence of use.

